



REED PNEUMATIC UPC

Blade information pertains to models:
UPC616A, UPC636A, UPC648A,
UPC836APE, UPC848APE

BEFORE OPERATING OR PERFORMING MAINTENANCE, SEE OPERATOR'S MANUAL
AND UPC SERVICE BULLETIN PROVIDED WITH EACH UNIT.

BLADE SELECTION CHART				
Catalog No.	Item Code	Description	Pipe Diameter	Pipe Material
UPCARB4	97510	4" BLADES cut up to 23/32" (18.3 mm) wall thickness	6" (150 mm) Pipe	PVC
UPCBPVC*	97511	PVC Bevel Cutter*	6"- 48" (150-1300 mm) Pipe	PVC
UPCARB6	97514	6" BLADES cut up to 1 23/32" (43.7 mm) wall thickness	8"- 48" (200-1300 mm) Pipe	PVC
UPCSTEEL4	97519	4" BLADES cut up to 1/2" (12.7 mm) wall thickness	6" - 8" (150-200 mm)	Steel
		4" BLADES cut up to 23/32" (18.3 mm) wall thickness	6" - 8" (150-200 mm)	PE
UPCSTEEL6	97520	6" BLADES cut up to 1/2" (12.7 mm) wall thickness	8" - 48" (200-1300 mm)	Steel
		6" BLADES cut up to 1 23/32" (43.7 mm) wall thickness	8" - 48" (200-1300 mm)	PE
UPCPE8**	97521	8" BLADES cut up to 2 23/32" (69 mm) wall thickness	26" - 48" (660-1300 mm)	PE
UPDIA4C	97528	4" BLADES cut up to 23/32" (18.3 mm) wall thickness	6" (150 mm) Pipe	Cast Iron, Pit Cast, Ductile Iron, Clay, Concrete
UPDIA6C	97524	6" BLADES cut up to 1 23/32" (43.7 mm) wall thickness	8"- 48" (200-1300 mm) Pipe	Cast Iron, Pit Cast, Ductile Iron, Clay, Concrete

* Used with UPCARB4 or UPCARB6 cut-off blades. Long arbor #97561 is required since this bevel cutter has 1/4" blade thickness. ** This blade works only with the UPC836 and UPC848 models.

UPC AIR MOTOR PREVENTIVE MAINTENANCE

NOTE 1

USE THE SPECIFICALLY TAILORED FILTER-REGULATOR-LUBRICATOR: FRL #97591.

All air motors are sensitive to contamination and require clean air and proper lubrication. Be certain the filter is not clogged and the lubricator is delivering 3 to 6 drops per minute.

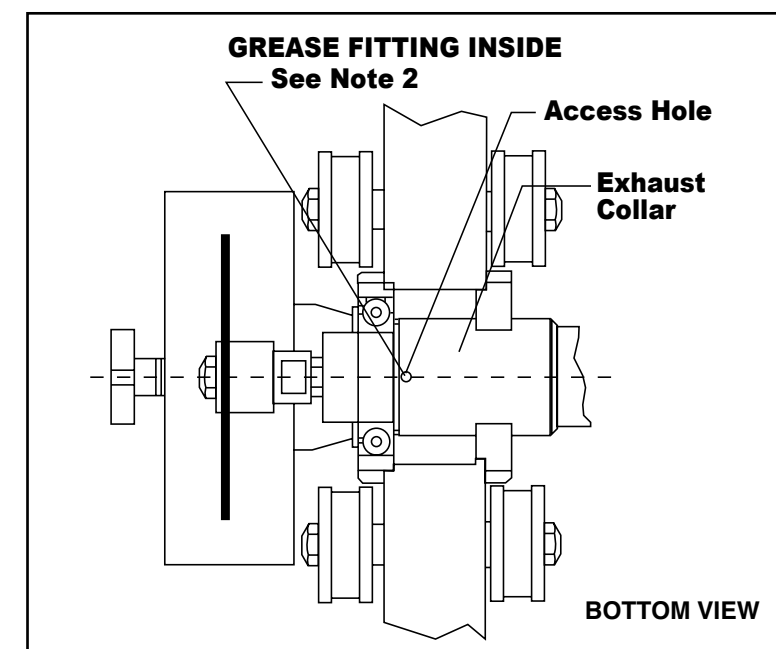
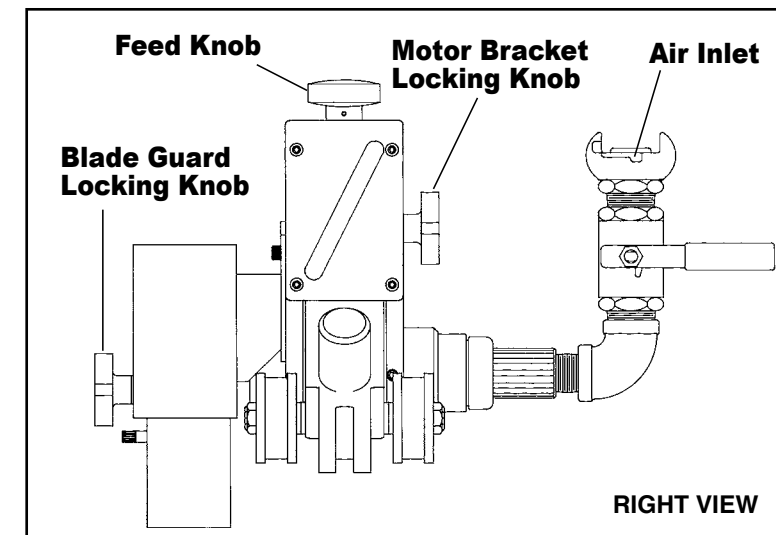
NOTE 2

OBSERVE THE LUBRICATION INSTRUCTIONS.


Lightly grease gearing after day's use. Turn the unit over, rotate the exhaust collar to align the 1/4" hole on the centerline, then access the grease fitting inside the 1/4" hole. Also pour a teaspoon of Non Fluid Oil* #97583 air lube in the air inlet before each new air hookup and after each day's use. *Non Fluid Oil Corp.

NOTE 3

READ THE COMPLETE OPERATOR'S MANUAL AND SERVICE BULLETINS PROVIDED WITH EACH UNIT BEFORE OPERATING.



CAUTION: When cutting steel, ductile iron, or cast iron, the UPC can produce sparks. When cutting PE, the UPC may cause a build-up of static electricity. Do not use the UPC saw in-line on potentially explosive or otherwise dangerous situations. The line must be verified as completely purged of any flammable vapor or liquid.



REED MANUFACTURING COMPANY

1425 WEST EIGHTH ST. ERIE, PA 16502 USA • PHONE: 800-666-3691 OR 814-452-3691 FAX: 800-456-1697 OR 814-455-1697

www.reedmfgco.com

0514-50217